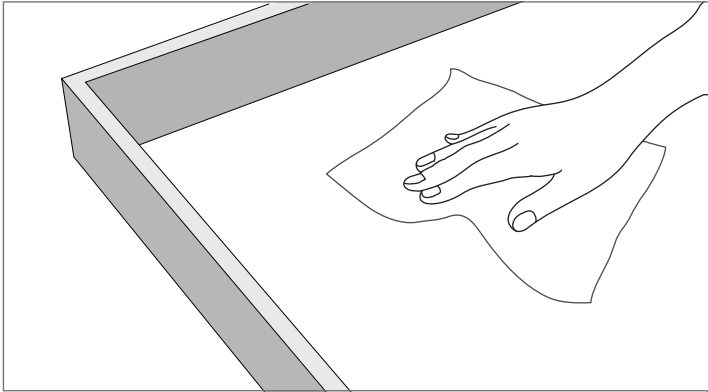


INSTALLATION GUIDE

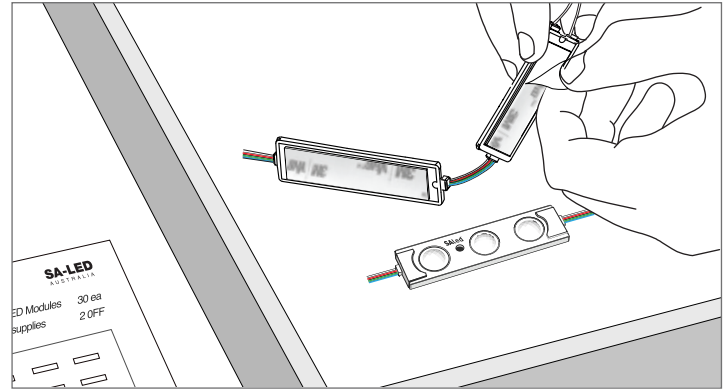
L-3 LED RGB Series

WARNING

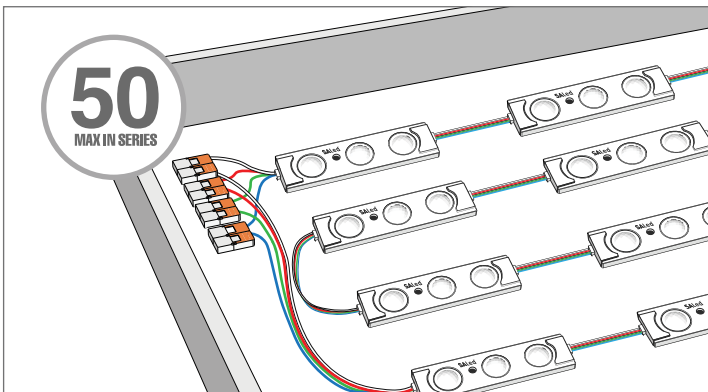
Electrical shock risk. Do not modify these products, as any alterations may void the warranty and compromise safety. Installation requires knowledge of electrical sign systems; if you are not qualified, please consult a certified electrician. Always disconnect the power supply before installing the product. Ensure the correct driver (12V or 24V) and adequate maximum wattage are used. Adhere to the specified guidelines for optimal results.



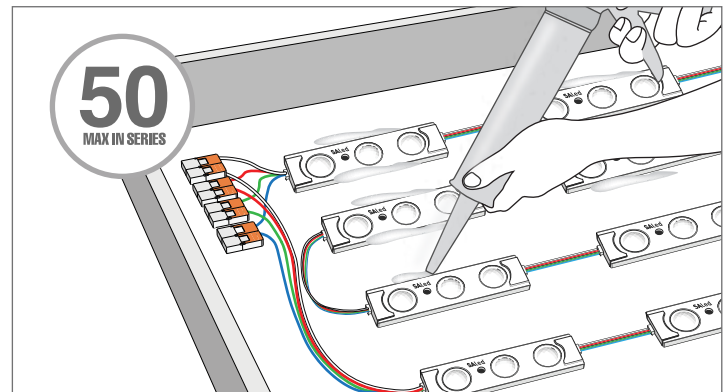
1 Clean the inside of your channel letter or lightbox, ensuring it is free from any debris or dirt.



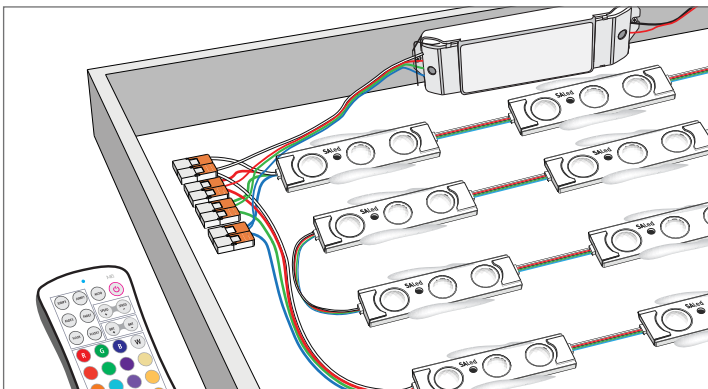
2 Remove the tape from the back of the LEDs and stick them in place according to the provided LED layout, including the appropriate module pitch (refer to Figure 1 on page 2).



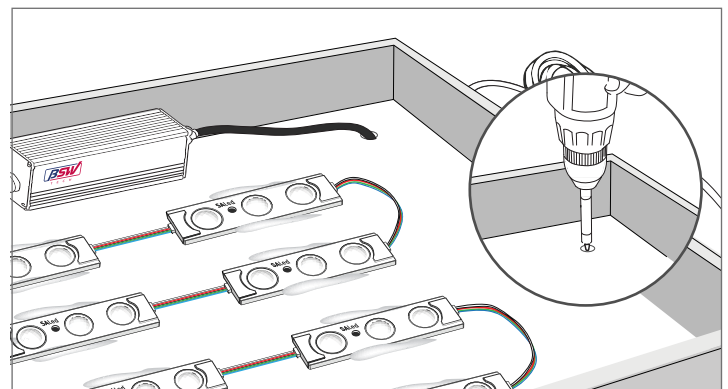
3 Ensure modules are connected in series or parallel (refer to Figure 2 on page 2). Avoid exceeding the maximum module count to prevent voltage drops.



4 WAGO connectors enable quick wiring of LEDs in series and ensure the correct polarity with white (+), R + R, G + G, and B + B. Secure the LEDs using silicone glue.



5 Wire both ends of LED modules to the controller and power supply. For multiple series, connect them in parallel to avoid voltage drop (refer to page 2).



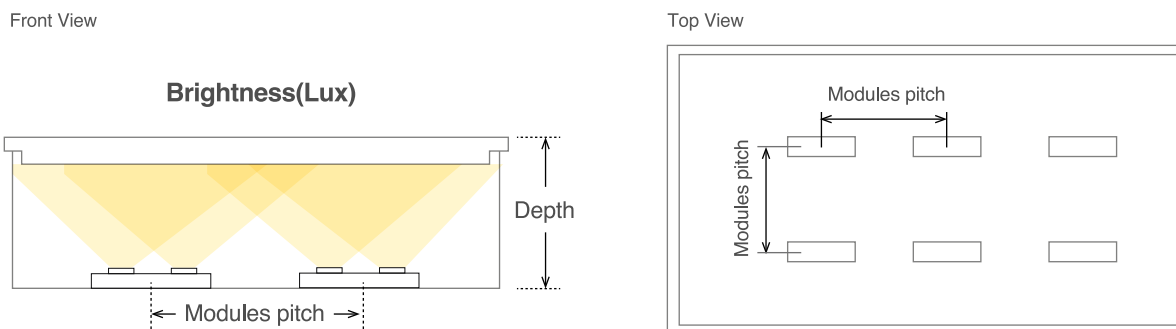
6 Drill holes along the edge of the channel letter or lightbox connect to the power.

INSTALLATION GUIDE

L-3 LED RGB Series

Figure 1. LED Modules pitch guide.

We recommend channel letters and lightboxes with the following depths based on the LED module specifications.

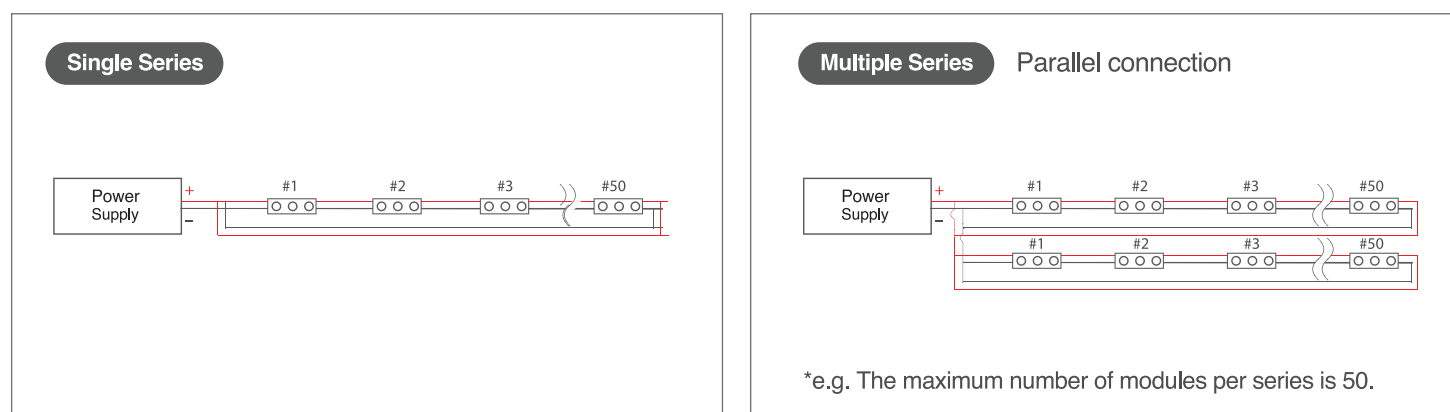


Product	Item Code	Depth	Module Pitch (*CTC)	Max in Series
L-RGB	SA 4397	80mm - 99mm	70mm	50 Modules
		100mm - 119mm	80mm	
		120mm - 149mm	100mm	
		150mm or more	120mm	

*Center to Centre

Figure 2. Wiring Diagram

Check Polarity : Wire connections must be **white to (+), R + R, G + G, and B + B**. Reverse polarity connections may damage the LEDs and will void the product warranty.



Do not exceed the maximum number of LED modules per series (refer to each item's spec sheet for specific numbers). We recommend wiring both ends of LED modules to the power supply.

If you require **multiple modules**, they must be wired in parallel as a safe electrical operation mode. **Serial connection is not recommended**, as unbalanced voltage drops can lead to hazardous overload, potentially damaging the LED modules and causing uneven brightness